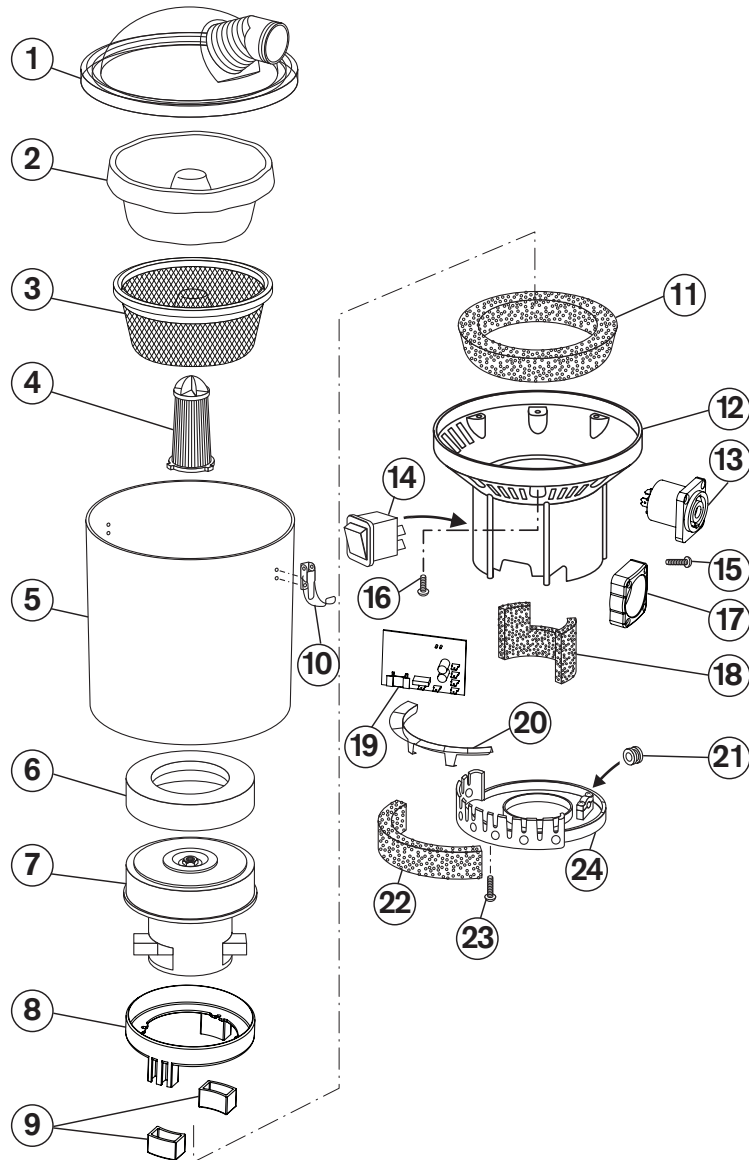


# Superpro battery700 Parts Profile

Product Number: 201303-001A



Quote these part numbers when ordering spare parts.

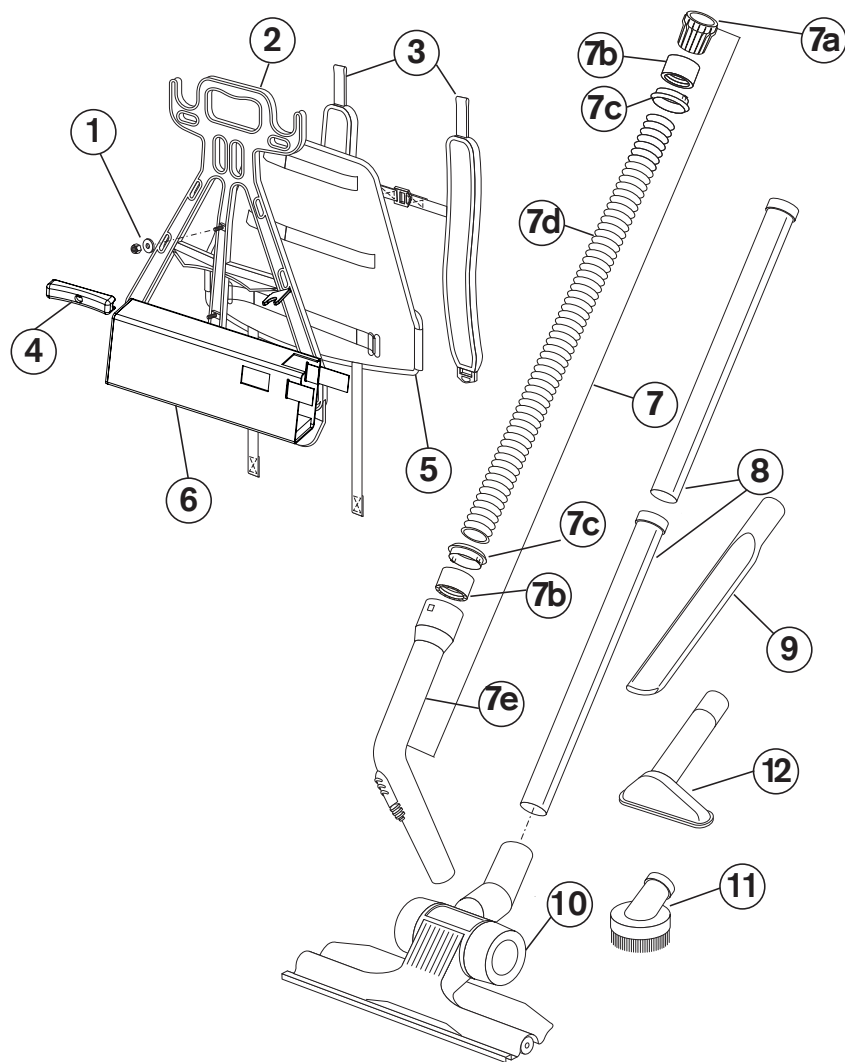
No.	Part Name	Part No.
1.	Dome lid	KC251
2.	Hypercone paper bag (Packet of 5)	AF101
3.	Hypercone dust bag	KC502HC
4.	Hypercone HEPA filter	KC270
5.	Main vacuum canister	KC252B
6.	Motor gasket	KC253C
7.	Motor 400W 24V DC single stage flow through	UP119
8.	UDS Motor spacer	PV276
9.	UDS Clamping boot	PV277
10.	Toggle latch	KC131
11.	Intermediate noise insulation	PV254
12.	Intermediate housing	KC256B
13.	Power Socket	KC430
14.	Switch rocker 12A 250V	VS261LC
15.	Screw 3x12 countersunk (plastite)	N/A
16.	Screw 5x20 (plastite)	PV298
17.	Connector Spacer	KC410
18.	Noise insulation (motor)	PV255
19.	PCB board	KC400
20.	Motor filter cage	KC264
21.	Hole plug	KC262P
22.	External motor filter	PV259
23.	Screw 6x25	N/A
24.	Bottom cap	KC258

## Specifications

Volts / Frequency: 24V DC  
 Motor: 400W 24V DC single stage flow through  
 Noise Level: 62.5dB(A) ± 3dB(A) (at 1.5m)  
 Filtration: 4 stage  
 Airflow Volume: 29 litres per sec  
 Tank Capacity: 5 litres  
 Weight: 6.2kgs (with battery pack, excluding hose)  
 Vibration Level: <2.5m/s<sup>2</sup>

Technical specifications, part numbers and parts profiles are subject to change without notice.

## Superpro battery700 Harness and Accessories Parts Profile

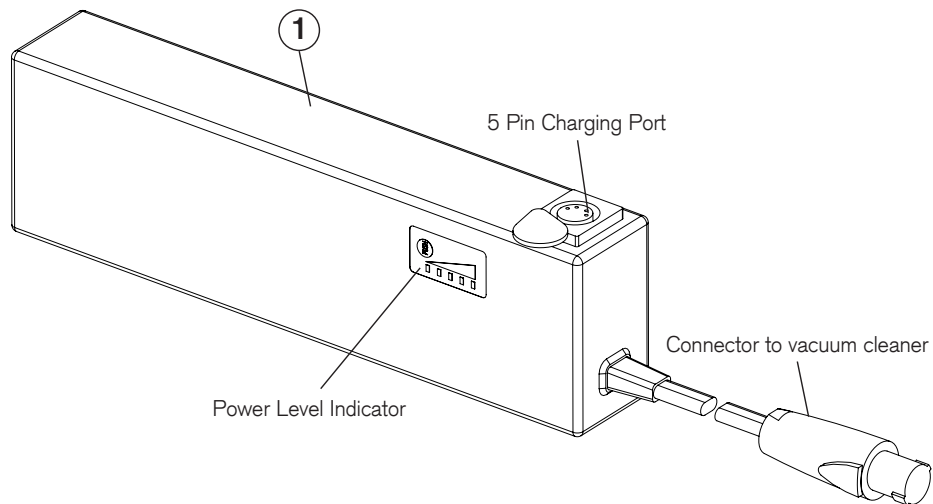


Quote these part numbers when ordering spare parts.

No.	Part Name	Part No.
1.	Bolt 5x20	N/A
	Nut 5mm nyloc	N/A
	Washer 3/16 x 3/4	N/A
	Washer 3/16 x 7/16	N/A
2.	Carrying frame	KC120
3.	Shoulder strap pair	KC121
4.	Frame spacer	KC420
5.	Back support padding	KC263
6.	Battery pack holder	KC450
7.	Hose complete 32mm 1.2m	KC320
7a.	Machine end connector 32mm	KC200
7b.	Hose cuff hull 32mm	UA914
7c.	Hose clip ring 32mm	UA915
7d.	Hose 32mm 1.2m	KC350
7e.	Bent hand piece 32mm	KC330
8.	Two piece wand 32mm	KC9092
9.	Crevice tool 32mm	KC911
10.	Combination floor tool with wheels 32mm x 285mm	UA908W
11.	Dusting brush 32mm	KC910
12.	Upholstery tool 32mm	KC912

Technical specifications, part numbers and parts profiles are subject to change without notice.

## Battery Pack Parts Profile



Quote this part number when ordering spare parts

**No. Part Name**

1. Battery pack LEV24PFP

**Part No.**

KC461

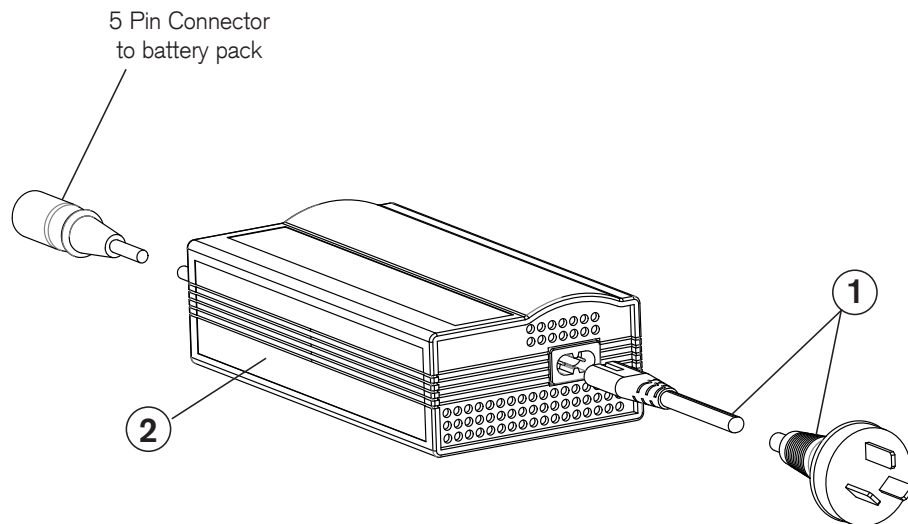
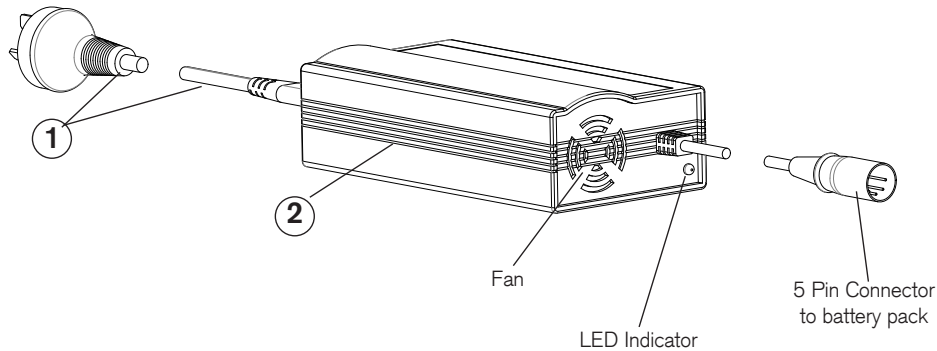
### Specifications

Pack Configuration: 7S3P  
 Cell Manufacturer: Panasonic  
 Cell Type: Li-ion NCR18650PF  
 Cell Allowable Discharging Current: 10A  
 Pack Nominal Voltage: 25.2V  
 Pack Nominal Capacity: 8,700mAh  
 Pack Continuous Allowable Current: <15A  
 Charge Connector: 5-pin Mic connector  
 Size: 302mm (L) x 86mm (W) x 49mm (H)  
 Weight: 1.5kgs  
 Certification/Comply to: IATA UN38.3 / IEC62133:2012  
 Reference Certification Number: JPTUV-062730

### Safety Features

Feature	Specifications
Discharge Protections	Under Voltage Over Current Over Discharge Low Temp (0°C) High Temp (50°C)
Charge Protections	Over Voltage Over Current Low Temp (0°C) High Temp (50°C)
Balancing Function	YES
Energy Saving Mode	YES

## Battery Charger Parts Profile



Quote these part numbers when ordering spare parts.

No.	Part Name	Part No.
1.	Charger 5A short lead 1.8m (AU, NZ)	KC471BSLAU
	Power Cord:	
	EU Charger 5A short lead (EU)	KC471BSLEU
	UK Charger 5A short lead (UK)	KC471BSLUK
2.	Battery charger 5A (includes short lead)	KC470B

### Specifications

Model: HPO180WL2 Li-ion 5A Battery Charger

Input Voltage: AC 100-240V AC 60/50 Hz 5A

Output Voltage: 24V DC

Output Current: 5.0 ± 0.1A

Protection Against Over Current: Over 20Amp automatic shut-down

Protection Against Over Voltage: Over 37VDC automatic shut-down

Protection Against Over Charge: Automatic to break off charge

LED indication (light change):

- **RED LIGHT ON:** Power On
- ⊙ **ORANGE LIGHT (FLASHING):** Pre-charging
- **ORANGE LIGHT ON:** Charging
- ⊙ **GREEN LIGHT (FLASHING):** Almost Charged
- **GREEN LIGHT ON:** Fully Charged (Disconnect)

\* If a flashing red light appears please contact an Authorised Pacvac Service Centre or contact [support@pacvac.com](mailto:support@pacvac.com) for assistance.

Protection Against Over Voltage and Current of Output: Yes

Protection Against Reverse Flow of Current: Yes

Operating Temperature: 0°C ~ 50°C

Preserving Temperature: -20°C ~ 50°C

Weight: 0.80kg

Approval: Refer to charger label

RoHS Compliant: Yes

Technical specifications, part numbers and parts profiles are subject to change without notice.